

# IP Video Surveillance

## VB6451 Mini Bullet Camera

### 2MP Full HD 1080p



#### Overview

VIDEOTEKNIKA VB6451 is a versatile, fully cable managed, fixed mini bullet camera designed for outdoor applications with a 2 Megapixel sensor enabling a viewing resolution of 1920 x 1080 (Full HD 1080p Real Time). The outdoor True Day & Night camera provides superior quality video in the most extreme low light conditions upto 30 metres with an additional feature of IR-cut filter with auto-switch (ICR). The VB6451 features a 3-Axis adjustment bracket. The camera incorporates a 1/3" CMOS chip with progressive scan technology enabling sharp images in highly populated locations. The VB6451 also supports POE.

#### Supported Compression

The VB6451 supports MJPEG compression technology, a digital video encoding standard where each video frame is separately compressed into a JPEG image. The VB6451 also supports MPEG-4, a further development of MPEG-2 designed for transmitting audiovisual data at very low transfer rates MPEG-4 is a digital video encoding and compression standard that uses interframe encoding to significantly reduce the size of the video stream being transmitted. The VB6451 also supports the industry standard H.264 compression, the most recent compression technology that reduces drastically video file sizes therefore allowing for better storage and lowers bandwidth demands.

#### Dual Streaming

The VB6451 allows for dual independent streaming images to pass through the video coder. The resolution, frame rate and bit rate can be set independently on both streams. The main application for dual streams allows for high resolution and high frame rate streaming for recording while allowing lower resolution and frame rate for computer browsing and mobile device applications.

#### Supported Software

The Camera is supported by the Videoteknika VVMS-*Xpert*™ VMS. The VVMS-*Xpert*™ VMS is a modular Video Management Software dedicated for Videoteknika IP cameras expandable up to 1024 Channels per server. A 64 Ch version VVMS-*Advanced*™ is supplied as a free bundled software with all Videoteknika IP Cameras. VVMS-*Mobile*™ is also available on Iphone and Android applications. Videoteknika IP cameras are supported by various leading software development VMS partners.

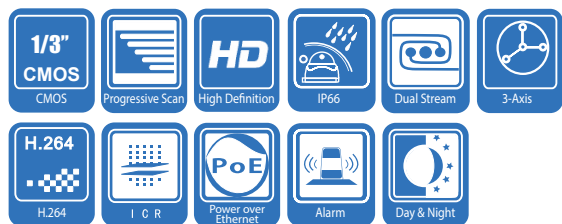
#### Main Features

- Full HD (1080p) Real time video
- Up to 2 Megapixel (1920 x 1080) Resolution
- 1/3" progressive scan CMOS
- Built-in IR Illuminator, Effective 30 metres
- True Day & Night IR Cut filter with auto-switch
- Fixed Lens 4mm (Optional 6mm, 12mm)
- Dual Simultaneous Streaming
- Supported Video Compressions : MJPEG / MPEG-4 / H.264
- Fully cable managed Housing and Bracket (IP66 rated)
- Power Over Ethernet ( POE)
- Supports ePTZ for data efficiency
- NAS – Network Storage Compatible
- ONVIF,PSIA,CGI compatible
- Videoteknika – VVMS-*Advanced*™ VMS software included
- Videoteknika – VVMS-*Mobile*™ supported on App Store

# VB6451

## IP 2MP Mini Bullet

### Full HD 1080p



# IP Video Surveillance

## VB6451 Mini Bullet Camera

### 2MP Full HD 1080p



#### Easy setup

- Fully cable managed Housing and Bracket (IP66 rated)
- Power Over Ethernet – POE (802.3af)
- Fixed Lens 4mm (Optional 6mm, 12mm)
- True Day & Night IR Cut filter with auto-switch
- Built-in IR Illuminator, Effective 30 metres
- Saturation, brightness, contrast adjustable through client software or web browser

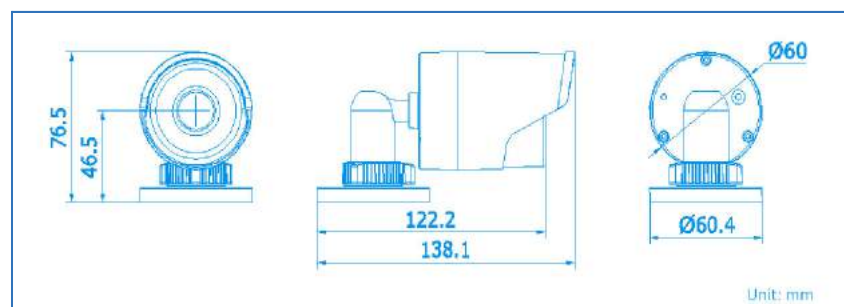
Typical Camera Locations	VB6451
Retail	Yes
Banking	Yes
Airports	Yes
Hotels & Hospitals	Yes
Parking garages	Yes
Traffic Surveillance	Yes
Perimeter Protection	Yes
Stadiums	Yes
Playgrounds	Yes

#### Specifications

Camera Model	VB6451
<b>Features</b>	
Image Sensor	1/3" Progressive Scan CMOS
Min. Illumination	0 Lux with IR
IR Range	30 metres
Shutter time	1/25s~1/100,000s
Lens	4mm @ F1.2 (6mm, 12mm optional)
Lens Mount	M12
Iris Mode	Fixed Iris
PTZ	ePTZ
Communication	1 x RJ45 Ethernet port
Day and Night	IR cut filter with auto switch
System Compatibility	ONVIF, PSIA, CGI
Video Compression	H.264 / MPEG4 / MJPEG
Bit Rate	32 Kbps ~ 16 Mbps
Dual Stream	Yes
Max. Image Resolution	1920 x 1080
Frame Rate	50 Hz: 25 fps (1920 x 1080), 25 fps (1280 x 720) 60 Hz: 30 fps (1920 x 1080), 30 fps (1280 x 720)

Camera Model	VB6451
<b>Features (Continued)</b>	
Image Settings	Saturation, brightness, contrast adjustable through client software or web browser
Network Storage	NAS – Network Storage Compatible
Alarm Trigger	Motion detection, network disconnect, IP address conflict, storage exception
Security	Password protection, watermark
<b>Environmental</b>	
Operating Temperature	-10°C ~ 60°C (14°F ~ 140°F)
<b>Electrical</b>	
Input Voltage	12 VDC ± 10%, PoE (802.3af)
Power Consumption	Max. 4W (ICR On: Max. 5.5W)
<b>Physical</b>	
Dimensions	60.4(W) x 76.5(H) x 138.1(D) mm
Weather Proof	IP66
Weight	300 g (0.66 lbs)
<b>Regulatory Certifications</b>	FCC, CE, C-TICK, UL

#### Dimensional Diagrams



IP Video Surveillance  
 VB6451 Mini Bullet Camera  
**2MP Full HD 1080p**



**Ordering Information**

Camera Model	Camera Details
<b>VB6451</b>	2MP (1920 x 1080) Full HD 1080p, True Day & Night, Fixed Lens 4mm, Dual Streaming, IP66 rated, PoE, ePTZ, Fully cable managed 3-Axis Brakcet, VMS Support, Mobile Support, NAS Network Storage Support.
VB6451-6	2MP (1920 x 1080) Full HD 1080p, True Day & Night, Fixed Lens 6mm, Dual Streaming, IP66 rated, PoE, ePTZ, Fully cable managed 3-Axis Brakcet, VMS Support, Mobile Support, NAS Network Storage Support.
VB6451-12	2MP (1920 x 1080) Full HD 1080p, True Day & Night, Fixed Lens 12mm, Dual Streaming, IP66 rated, PoE, ePTZ, Fully cable managed 3-Axis Brakcet, VMS Support, Mobile Support, NAS Network Storage Support.

**Recommended Associated Products**



<b>VVMS-Advanced™</b>
Video Management Software
64 Channel
Mobile Application

**Affiliations:**



**Partners:**

