

IP Video Surveillance

VS7315 – 2MP Camera

20x Zoom Speed Dome



Overview

VIDEOTEKNIKA VS7315 is a 2 Megapixel 360° PTZ high speed dome camera with with D-WDR & maximum viewing resolution of 1920x1080 (1080p HD Real Time) suitable for high quality image surveillance requirements. The camera is designed for outdoor use encompassing IP66 & IK10 vandal rating, surge protection and lightning protection. The VS7315 features privacy masking, 256 preset zoom points & programmable patrol patterns, dual simultaneous streaming and multi-level user passwords. The camera incorporates a 1/2.8" progressive scan CMOS technology enabling sharp images in highly populated locations.

H.264 Video Compression

The VS7315 supports the industry standard H.264 compression, the most recent compression technology that reduces drastically video file sizes therefore allowing for better storage and lowers bandwidth demands. The VS7315 allows for dual independent streaming images to pass through the video coder. The resolution, frame rate and bit rate can be set independently on both streams. The main application for dual streams allows for high resolution and high frame rate streaming for recording while allowing lower resolution and frame rate for computer browsing and mobile device applications.

PTZ Features

The VIDEOTEKNIKA VS7315 is designed to enable up to $\pm 0.1^\circ$ preset accuracy enabling 360° endless panning capability at 300°/sec and Tilting capability of 200°/sec.

Supported Software

The Camera is supported by the Videoteknika VVMS-*Xpert*™ VMS. The VVMS-*Xpert*™ VMS is a modular Video Management Software dedicated for Videoteknika IP cameras expandable up to 1024 Channels per server. A 64 Ch version VVMS-*Advanced*™ is supplied as a free bundled software with all Videoteknika IP Cameras. VVMS-*Mobile*™ is also available on Iphone and Android applications. Videoteknika IP cameras are supported by various leading software development VMS partners.

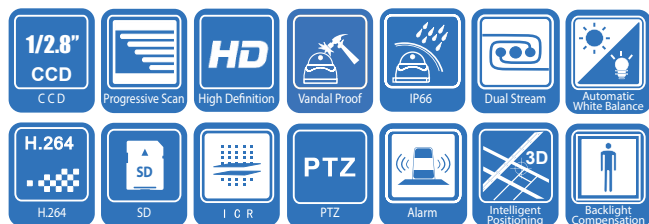
Main Features

- Full HD (1080p) Real time video
- Up to 2 Megapixel (1920 x 1080) Resolution
- 20x Optical Zoom, 12x Digital Zoom
- 1/2.8" progressive scan CMOS
- 2-Way Audio
- Minimum Illumination : 0.05 Lux (Color) , 0.01 Lux (B&W)
- Day & Night IR Cut filter
- Focal Length 4.7 ~ 94mm, 20x
- Digital Wide Dynamic Range
- Dual Simultaneous Streaming
- Supported Video Compressions : H.264
- 256 Preset zoom points & patrol feature
- Privacy Masking
- Up to 6 simultaneous users
- IP66 & IK10 Vandal Housing, lightning & surge protection
- NAS – Network Storage Compatible
- Videoteknika – VVMS-*Advanced*™ VMS software included
- Videoteknika – VVMS-*Mobile*™ supported on App Store
- Built-in Micro SD / SDHC card slot for local storage

VS7315

IP 2MP Full HD 1080p

20x High Speed Dome



IP Video Surveillance

VS7315 – 2MP Camera

20x Zoom Speed Dome



Specifications

Camera Model	VS7315
Features	
Image Sensor	1/2.8" progressive scan CMOS
Min. Illumination	0.05 Lux @F1.6 (Color), 0.01 Lux @F1.6 (B&W)
Video Output	Composite Output – 75Ω
Shutter time	1 ~ 1/10,000s
Focal Length	4.7 ~ 94mm, 20x
	Angle of view: 58.9° ~ 2.11° (Wide-Tele)
Zoom Speed	3 Seconds (Optical Wide-Tele)
Effective Pixels	1920(H)x1080(V)
White Balance	Auto / Manual / One Touch WB / ATW
AGC	Auto/Manual
S/N Ratio	≥ 50dB
BLC	ON/OFF
Digital Zoom	12x
Auto Focus	Auto / Semi-automatic / Manual
Minimum Working Distance	10–1,000mm (Wide-Tele)
Aperture Range	F1.6 – F3.5
Pan Range	360° Continuous Rotation
Tilt Range	-5° ~ 90° (Auto Flip)
Number of Preset	256
Patrol	8 patrols, up to 32 presets per patrol
Pattern	4 patterns
PTZ Position Display	ON/OFF
Freeze Frame	Support
D-WDR	Digital Wide Dynamic Range
Monitor Output	1.0Vp-p, 75Ω, BNC
Audio Input	(Optional) Line audio input, 2–2.4Vp-p
Audio Output	Line level, impedance: 600Ω
Ethernet	10Base-T / 100Base-TX, RJ45 connector
Max. Image Resolution	1920 x 1080

Camera Model	VS7315
Features (Continued)	
Frame Rate	50Hz: 25 fps (1280 x 720)
Supported Image Compressions	H.264
Audio Compression	G.711u / G.711a / G.726
Audio Mode	OFF / Audio input / Audio output
Protocols	TCP/IP, HTTP, DHCP, DNS, RTP / RTCP, PPPoE (FTP, SMTP, NTP, SNMP optional)
No. of Users	Up to 6 simultaneous user
Dual Stream	Supported
Mini SD Card	Supports Manual / Alarm REC, up to 32GB
User Levels	Administrator, Camera control, Live view only
Security Measures	User (ID and PW), Host (MAC address)
Camera Control	Pan/Tilt, Zoom, Focus via mouse from VMS Software
Network Storage	NAS – Network Storage Compatible
Date & Time Display	Multiple International Format
Presets Namings	Individual via VMS Software
RS-485 Protocols	Videoteknika proprietary, Pelco-P, Pelco-D

Environmental

Operating Temperature	-30 °C ~ 65 °C (-22 °F ~ 149 °F)
-----------------------	----------------------------------

Electrical

Input Voltage	24 VAC / (Optional) PoE+
Power Consumption	Max. 22W / 14W (Heater On / Off)

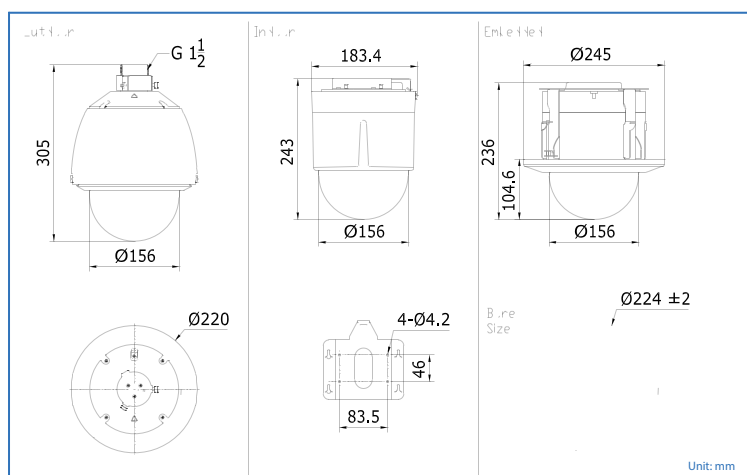
Physical

Dimensions	8.66 x 12.02 in. (220 x 305 mm)
Weatherproof Rating	IP66 rated
Vandal proof Rating	IK10 rated
Weight	5kg (11.02lbs)

Regulatory Certifications

FCC, CE, C-TICK, UL

Dimensional Diagrams



IP Video Surveillance

VS7315 – 2MP Camera

20x Zoom Speed Dome



Ordering Information

Camera Model	Camera Details
VS7215-20x	1.3 MP (1280 x 960) HD 720p Real Time IP Speed Dome, Optical Zoom 20x, True Day & Night (ICR), Dual Streaming, IP66, IK10 Vandal, VMS Support, Mobile Support, NAS Network Storage Support, 2-Way Audio, SD Card Support.
VS7215-30x	1.3 MP (1280 x 960) HD 720p Real Time IP Speed Dome, Optical Zoom 30x, True Day & Night (ICR), Dual Streaming, IP66, IK10 Vandal, VMS Support, Mobile Support, NAS Network Storage Support, 2-Way Audio, SD Card Support.
VS7315-20x	2 MP (1920 x 1080) Full HD 1080p Real Time IP Speed Dome, Optical Zoom 20x, True D&N (ICR), Dual Streaming, IP66, IK10 Vandal, VMS Support, Mobile Support, NAS Network Storage Support, 2-Way Audio, SD Card Support.
VS7315-30x	2 MP (1920 x 1080) Full HD 1080p Real Time IP Speed Dome, Optical Zoom 30x, True D&N (ICR), Dual Streaming, IP66, IK10 Vandal, VMS Support, Mobile Support, NAS Network Storage Support, 2-Way Audio, SD Card Support.

Recommended Associated Products



BRACKETS	VSDB-01	VSDB-03	VSDB-04
Mount :	Pendant Mount Bracket	Pole Mount Bracket	Corner Mount Bracket
Suitable for :	Indoor / Outdoor 50cm Pendant Mounting	Pole Mounting	Corner Mounting
Weight :	1320 grams	2000 grams	2675 grams
Dimension :	117 (W) x 493 (L) mm	356 (L) x 117 (W) x 201 (H) mm	419.5 (L) x 177 (W) x 194 (H) mm



BRACKETS	VSDB-06	VSDB-07	VVMS-Advanced™
Mount :	Wall Mount Bracket	In-Ceiling Mount Bracket	Video Management Software
Suitable for :	Indoor / Outdoor Wall Mounting	Indoor In-Ceiling Mounting	64 Channel
Weight :	1070 grams	500 grams	Mobile Application
Dimension :	310 (W) x 97 (H) x 194 (L) mm	194 (W) x 86.1 (H) mm	

Affiliations:



Partners:

