

IP Video Surveillance

VD6557A Dome Camera

3MP Full HD 1080p



Overview

VIDEOTEKNIKA VD6557A is a compact, stylish and high impact vandal resistant varifocal dome camera designed for indoor applications with a 3 Megapixel sensor enabling a viewing resolution of 2048 x 1536 (1080p HD Real Time). The multitasking day & night camera provides unlevelled cost effective performance making the product a market leader in its segment. The camera allows versatile indoor use through its True Day & Night feature and its vandal resistance. The VD6557A camera incorporates a 1/3" CMOS chip with progressive scan technology enabling sharp images in highly populated locations. The VD6557A also supports POE.

Supported Compression

The VD6557A supports MJPEG compression technology, a digital video encoding standard where each video frame is separately compressed into a JPEG image. The VD6557A also supports the industry standard H.264 compression, the most recent compression technology that reduces drastically video file sizes therefore allowing for better storage and lowers bandwidth demands.

Dual Streaming

The VD6557A allows for dual independent streaming images to pass through the video coder. The resolution, frame rate and bit rate can be set independently on both streams. The main application for dual streams allows for high resolution and high frame rate streaming for recording while allowing lower resolution and frame rate for computer browsing and mobile device applications.

Supported Software

The Camera is supported by the Videoteknika VVMS-*Xpert*™ VMS. The VVMS-*Xpert*™ VMS is a modular Video Management Software dedicated for Videoteknika IP cameras expandable up to 1024 Channels per server. A 64 Ch version VVMS-*Advanced*™ is supplied as a free bundled software with all Videoteknika IP Cameras. VVMS-*Mobile*™ is also available on Iphone and Android applications. Videoteknika IP cameras are supported by various leading software development VMS partners.

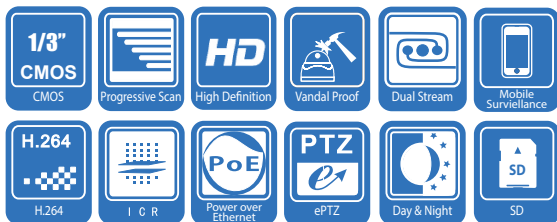
Main Features

- Full HD (1080p) Real time video
- Up to 3 Megapixel (2048 x 1536) Resolution
- 1/3" progressive scan CMOS
- 2-Way Audio
- IP66 & IK10 rated for Outdoor use
- Built-in IR Illuminator, Effective 30 metres
- True Day & Night IR Cut Mechanical Filter (auto-switch)
- Varifocal Lens 2.8 ~ 12mm
- Dual Simultaneous Streaming
- Supported Video Compressions : MJPEG / H.264
- Protective Vandal Resistant Housing
- Power Over Ethernet (POE)
- Supports ePTZ for data efficiency
- NAS – Network Storage Compatible
- ONVIF,PSIA,CGI compatible
- Built-in Micro SD / SDHC card slot for local storage
- Videoteknika – VVMS-*Advanced*™ VMS software included
- Videoteknika – VVMS-*Mobile*™ supported on App Store

VD6557A

IP 3MP Dome

Full HD 1080p



IP Video Surveillance

VD6557A Dome Camera

3MP Full HD 1080p



Easy setup

- Power Over Ethernet – POE (802.3af)
- Polycarbonate dome with vandal resistance
- Saturation, brightness, contrast adjustable through client software or web browser
- Varifocal Lens 2.8 ~ 12mm

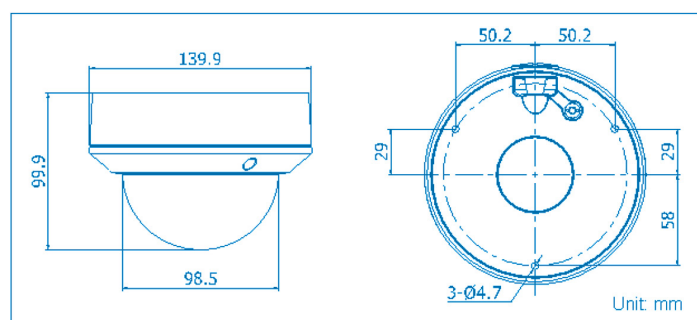
Typical Camera Locations	VD6557A
Retail	Yes
Banking	Yes
Airports	Yes
Medical	Yes
Parking garages	Yes
Domestic	Yes
Corporate	Yes
Government	Yes
Common Areas	Yes

Specifications

Camera Model	VD6557A
Features	
Image Sensor	1/3" Progressive Scan CMOS
Min. Illumination	0 Lux with IR LED's On
Shutter time	1/25s (1/30s) ~ 1/100,000s
Lens	2.8 ~ 12mm @ F1.4, Angle of view: 98° ~ 30.2°
IR Range	30 metres
Lens Mount	φ14
Iris Mode	Varifocal Iris
Adjustment Range	Pan: 0°~355°, Tilt: 0°~75°
Day and Night	True Day & Night IR Cut Mechanical Filter
System Compatibility	ONVIF, PSIA, CGI
Video Compression	H.264 / MJPEG
Bit Rate	32 Kbps ~ 16 Mbps
Dual Stream	Yes
Max. Image Resolution	2048 x 1536
Frame Rate	50 Hz: 12.5fps (2048 x 1536), 25fps (1920 x 1080), 25fps (1280 x 720)
	60 Hz: 15fps (2048 x 1536), 30fps (1920 x 1080), 30fps (1280 x 720)
Local Storage	Built-in SD/SDHC slot, up to 64 GB
Ethernet Port	1x RJ45 10M / 100M Ethernet port

Camera Model	VD6557A
Features (Continued)	
D-WDR	Digital Wide Dynamic Range
Misc Configurations	3D-DNR, BLC
Alarm Input / Alarm Output	1 / 1
Audio Input / Output	(2-way) 1-ch mic in / 1-ch audio interface
Image Settings	Saturation, brightness, contrast adjustable through client software or web browser
Network Storage	NAS – Network Storage Compatible
Alarm Trigger	Motion detection, network disconnect, IP address conflict, storage exception
Security	Password protection, watermark
Environmental	
Operating Temperature	-30 °C ~ 60 °C (-22 °F ~ 140 °F)
Electrical	
Input Voltage	12 VDC ± 10%, PoE (802.3af)
Power Consumption	Max. 5.5W
Physical	
Dimensions	5.51 x 3.94 in. (140 x 100 mm)
Impact Protection	up to IK10
Weight	1000g (2.2lbs)
Regulatory Certifications	
	FCC, CE, C-TICK, UL

Dimensional Diagrams



IP Video Surveillance

VD6557A Dome Camera

3MP Full HD 1080p



Ordering Information

Camera Model	Camera Details
VD6557A	3MP (2048 x 1536) Full HD 1080p, Real Time IP Dome, True Day & Night (ICR), Varifocal 2.8 ~ 12mm Lens, PoE, 2-Way Audio, Dual Streaming, 3-Axis, Vandal Proof, (VMS, Mobile & NAS Network Storage Support), SD Card support.
VD6554	3MP (2048 x 1536) Full HD 1080p, Real Time IP Dome, True Day & Night (ICR), Fixed 4mm, Dual Streaming, PoE, 3-Axis, Vandal Proof, VMS Support, Mobile Support, NAS Network Storage Support.
VD6254	1.3 MP (1280 x 960) HD 720p Real Time IP Dome, True Day & Night (ICR), Fixed 4mm, Dual Streaming, PoE, 3-Axis Vandal Proof, VMS Support, Mobile Support, NAS Network Storage Support.

Recommended Associated Products



VDB-03	VDB-04	VVMS-Advanced™
Pendant Mount Bracket	Wall Mount Bracket with Gang Box	Video Management Software
<2500 grams	<2500 grams	64 Channel
150 (W) x 545 (H) mm	140mm (L) x 193.6mm (W) x 297.5 (H) mm	Mobile Application

Affiliations:



Partners:

