

IP Video Surveillance

VD6454 Dome Camera

2MP Full HD 1080p



Overview

VIDEOTEKNIKA VD6454 is a compact, stylish and high impact vandal resistant fixed dome camera designed for indoor applications with a 2 Megapixel sensor enabling a viewing resolution of 1920 x 1080 (Full HD 1080p Real Time). The multitasking day & night camera provides unlevelled cost effective performance making the product a market leader in its segment. The camera allows versatile indoor use through its True Day & Night feature and its vandal resistance. The VD6454 camera incorporates a 1/3" CMOS chip with progressive scan technology enabling sharp images in highly populated locations. The VD6454 also supports POE.

Supported Compression

The VD6454 supports MJPEG compression technology, a digital video encoding standard where each video frame is separately compressed into a JPEG image. The VD6454 also supports the industry standard H.264 compression, the most recent compression technology that reduces drastically video file sizes therefore allowing for better storage and lowers bandwidth demands.

Dual Streaming

The VD6454 allows for dual independent streaming images to pass through the video coder. The resolution, frame rate and bit rate can be set independently on both streams. The main application for dual streams allows for high resolution and high frame rate streaming for recording while allowing lower resolution and frame rate for computer browsing and mobile device applications.

Supported Software

The Camera is supported by the Videoteknika VVMS-*Xpert*™ VMS. The VVMS-*Xpert*™ VMS is a modular Video Management Software dedicated for Videoteknika IP cameras expandable up to 1024 Channels per server. A 64 Ch version VVMS-*Advanced*™ is supplied as a free bundled software with all Videoteknika IP Cameras. VVMS-*Mobile*™ is also available on Iphone and Android applications. Videoteknika IP cameras are supported by various leading software development VMS partners.

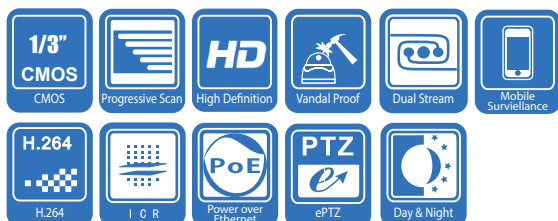
Main Features

- Full HD (1080p) Real time video
- Up to 2 Megapixel (1920 x 1080) Resolution
- 1/3" progressive scan CMOS
- IP66 & IK10 rated for Outdoor use
- Built-in IR Illuminator, Effective 30 metres
- True Day & Night IR Cut Mechanical Filter (auto-switch)
- 3D DNR (Digital Noise Reduction) , D-WDR and BLC
- Fixed Lens : 2.8mm @ F2.0, Angle of View : 98° (Optional 4mm)
- Dual Simultaneous Streaming
- Supported Video Compressions : MJPEG / H.264
- Protective Vandal Resistant Housing
- Power Over Ethernet (POE)
- Supports ePTZ for data efficiency
- NAS – Network Storage Compatible
- ONVIF,PSIA,CGI compatible
- Videoteknika – VVMS-*Advanced*™ VMS software included
- Videoteknika – VVMS-*Mobile*™ supported on App Store

VD6454

IP 2MP Dome

Full HD 1080p



IP Video Surveillance

VD6454 Dome Camera

2MP Full HD 1080p



Easy setup

- Power Over Ethernet – POE (802.3af)
- Polycarbonate dome with vandal resistance
- Saturation, brightness, contrast adjustable through client software or web browser
- Fixed Lens 2.8mm (Optional 4mm)

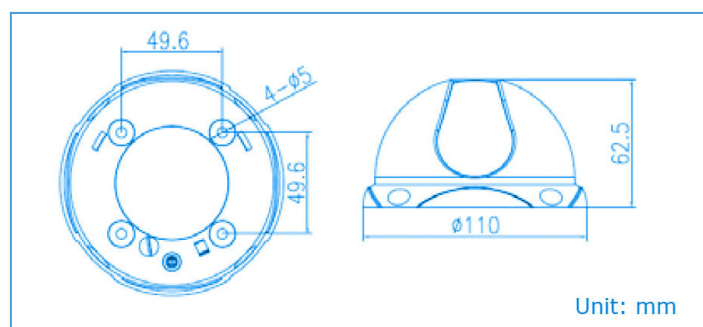
Typical Camera Locations	VD6454
Retail	Yes
Banking	Yes
Airports	Yes
Medical	Yes
Parking garages	Yes
Domestic	Yes
Corporate	Yes
Government	Yes
Common Areas	Yes

Specifications

Camera Model	VD6454
Features	
Image Sensor	1/3" Progressive Scan CMOS
Min. Illumination	0.028 Lux, (F2.0, the AGC ON) or 0 Lux with the IR
Shutter time	1/25s~1/100,000s
Lens	2.8mm @ F2.0 , AoV: 98° –]Optional 4mm]
IR Range	30 metres
Lens Mount	M12
Iris Mode	Fixed Iris
Adjustment Range	Pan: 0°~355°, Tilt: 0°~90°
Day and Night	True Day & Night IR Cut Mechanical Filter
System Compatibility	ONVIF, PSIA, CGI
Video Compression	H.264 / MJPEG
Bit Rate	32 Kbps ~ 16 Mbps
Dual Stream	Yes
Max. Image Resolution	1920 x 1080
Frame Rate	50 Hz: 25 fps (1920 x 1080), 25 fps (1280 x 720) 60 Hz: 30 fps (1920 x 1080), 30 fps (1280 x 720)
3D-DNR	3D Digital Noise Reduction

Camera Model	VD6454
Features (Continued)	
WDR	Digital Wide Dynamic Range
Image Settings	Saturation, brightness, contrast adjustable through client software or web browser
Network Storage	NAS – Network Storage Compatible
Alarm Trigger	Motion detection, network disconnect, IP address conflict, storage exception
Security	Password protection, watermark
Environmental	
Operating Temperature	-10 °C ~ 60 °C (14 °F ~ 140 °F)
Electrical	
Input Voltage	12 VDC ± 10%, PoE (802.3af)
Power Consumption	2W ~ 4W (IR LEDs: +2W)
Physical	
Dimensions	5.51 x 3.62 in. (140 x 92 mm)
Impact Protection	up to IK10
Weight	600g (1.32lbs)
Regulatory Certifications	FCC, CE, C-TICK, UL

Dimensional Diagrams



IP Video Surveillance

VD6454 Dome Camera

2MP Full HD 1080p



Ordering Information

Camera Model	Camera Details
VD6254	1.3 MP (1280 x 960) HD 720p Real Time IP Dome, True Day & Night (ICR), Fixed 2.8mm, Dual Streaming, PoE, 3-Axis Vandal Proof, VMS Support, Mobile Support, NAS Network Storage Support.
VD6454	2MP (1920 x 1080) Full HD 1080p, Real Time IP Dome, True Day & Night (ICR), Fixed 4mm, Dual Streaming, PoE, 3-Axis, Vandal Proof, VMS Support, Mobile Support, NAS Network Storage Support.
VD6554	3MP (2048 x 1536) Full HD 1080p, Real Time IP Dome, True Day & Night (ICR), Fixed 4mm, Dual Streaming, PoE, 3-Axis, Vandal Proof, VMS Support, Mobile Support, NAS Network Storage Support.

Recommended Associated Products



BRACKETS	VDB-21	VDB-22	VDB-23
Mount :	Wall Mount Bracket	Pendant Mount Bracket	Corner Mount Bracket
Dimension :	110 (W) x 120 (L) x 120 (H) mm	110 (W) x 545 (H) mm	158 (W) x 173 (L) mm



BRACKETS	VDB-24	VVMS-Advanced™
Mount :	Pole Mount Bracket	Video Management Software
Dimension :	117 (W) x 194 (L) x 143 (H) mm	64 Channel Mobile Application

Affiliations:



Partners:

