

IP Video Surveillance

VD6414 Mini Dome Camera

2MP Full HD 1080p



Overview

VIDEOTEKNIKA VD6414 is a compact, stylish and high impact vandal resistant fixed dome camera designed for indoor and outdoor applications with a 2 Megapixel sensor enabling a viewing resolution of 1920 x 1080 (Full HD 1080p Real Time). The 2MP mini dome camera provides outstanding video performance making this camera very useful in discreet yet sensitive applications. The camera allows versatile indoor use while through is IP66 rating and its IK10 vandal resistance, varies outdoor applications are also possible. The VD6414 features a 3 Axis adjustment capability. The camera incorporates a 1/2.8" CMOS chip with progressive scan technology enabling sharp images in highly populated locations. The VD6414 incorporates an Electronic Day & Night feature and also supports POE.

Supported Compression

The VD6414 supports MJPEG compression technology, a digital video encoding standard where each video frame is separately compressed into a JPEG image.

The VD6414 also supports the industry standard H.264 compression, the most recent compression technology that reduces drastically video file sizes therefore allowing for better storage and lowers bandwidth demands.

Dual Streaming

The VD6414 allows for dual independent streaming images to pass through the video coder. The resolution, frame rate and bit rate can be set independently on both streams. The main application for dual streams allows for high resolution and high frame rate streaming for recording while allowing lower resolution and frame rate for computer browsing and mobile device applications.

Supported Software

The Camera is supported by the Videoteknika VVMS-*Xpert*™ VMS. The VVMS-*Xpert*™ VMS is a modular Video Management Software dedicated for Videoteknika IP cameras expandable up to 1024 Channels per server. A 64 Ch version VVMS-*Advanced*™ is supplied as a free bundled software with all Videoteknika IP Cameras. VVMS-*Mobile*™ is also available on Iphone and Android applications. Videoteknika IP cameras are supported by various leading software development VMS partners.

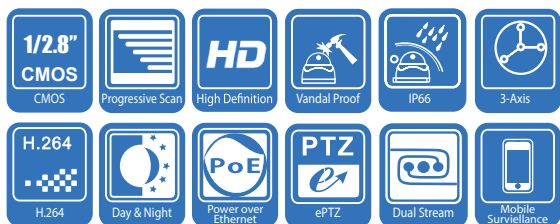
Main Features

- Upto 2 Megapixel (1920 x 1080) Resolution
- Full HD (1080p) Real time video
- 1/2.8" progressive scan CMOS
- IP66 & IK10 rated for Outdoor use
- Alarm Triggering Motion Detection
- Electronic Day & Night
- Fixed Lens 4mm (Optional 2.8mm, 6mm)
- Dual Simultaneous Streaming
- Supported Video Compressions : MJPEG / H.264
- Protective Vandal Resistant Housing
- Power Over Ethernet (POE)
- Supports ePTZ for data efficiency
- NAS – Network Storage Compatible
- ONVIF,PSIA,CGI compatible
- Videoteknika – VVMS-*Advanced*™ VMS software included
- Videoteknika – VVMS-*Mobile*™ supported on App Store
- Built-in Micro SD / SDHC card slot for local storage

VD6414

IP 2MP Mini Dome

Full HD 1080p



IP Video Surveillance

VD6414 Mini Dome Camera

2MP Full HD 1080p



Easy setup

- Uses a true “3-Axis feature” which allows for optimization of the field of view level regardless of mounting location while maintaining horizontal view
- Power Over Ethernet – POE (802.3af)
- Polycarbonate dome with vandal resistance
- Saturation, brightness, contrast adjustable through client software or web browser
- Fixed Lens 4mm (Optional 2.8mm, 6mm)
- IP66 & IK10 rated for Outdoor use

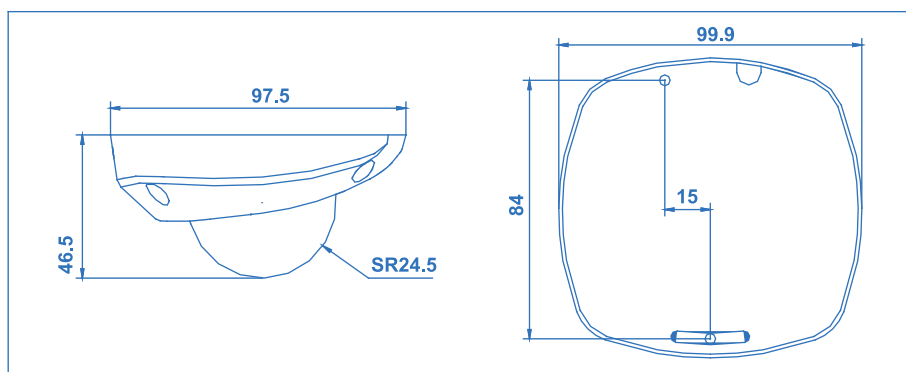
Specifications

Camera Model	VD6414
Features	
Image Sensor	1/2.8" Progressive Scan CMOS
Min. Illumination	0.0028 lux @ F2.0, AGC On
Shutter time	1/3s~1/100,000s
Lens	4 mm @F2.0 (2.8mm, 6mm optional) Angle of view: 79°
Lens Mount	M12
Adjustment Range	Pan: ± 15°, tilt: 0 ~ 90°, rotation: ± 15°
Day and Night	Electronic
Video Compression	H.264 / MJPEG
Bit Rate	32 Kbps ~ 16 Mbps
Dual Stream	Yes
Max. Image Resolution	1920 x 1080
Frame Rate	50 Hz: 25 fps (1920 x 1080) ~ (1280 x 720) 60 Hz: 30 fps (1920 x 1080) ~ (1280 x 720)
Image Settings	Saturation, brightness, contrast adjustable through client software or web browser
Network Storage	NAS – Network Storage Compatible
D-WDR	Digital Wide Dynamic Range

Typical Camera Locations	VD6414
Retail	Yes
Banking	Yes
Airports	Yes
Medical	Yes
Parking garages	Yes
Domestic	Yes
Corporate	Yes
Government	Yes
Common Areas	Yes

Camera Model	VD6414
Features (Continued)	
Digital Noise Reduction	3D-DNR
Back Light Compensation	Yes
Alarm Trigger	Motion detection, network disconnect, IP address conflict, storage exception
Security	Password protection, watermark
System Compatibility	ONVIF, PSIA, CGI
Communication Interface	1 RJ45 10M / 100M ethernet interface
Local Storage	Built-in SD/SDHC slot, up to 64 GB
Environmental	
Operating Temperature	-30 °C ~ 60 °C (-22 °F ~ 140 °F)
Electrical	
Input Voltage	12 VDC ± 10%, PoE (802.3af)
Power Consumption	4W MAX
Physical	
Dimensions	99.9 x 97.5 x 46.5 mm
Protection	IP66 & IK10 Vandal Proof
Weight	410g (0.88lbs)
Regulatory Certifications	FCC, CE, C-TICK, UL

Dimensional Diagrams



IP Video Surveillance

VD6414 Mini Dome Camera

2MP Full HD 1080p



Ordering Information

Camera Model	Camera Details
VD6414-4	2MP IP Dome, Full HD 1080p (1920 x 1080), Electronic Day & Night, Fixed Lens 4mm, Dual Streaming, PoE, ePTZ, D-WDR, 3D-DNR, Motion Detection, (VMS, Mobile, NAS Support), Built-in SD Card slot, IP66 & IK10 Vandal Proof.
VD6414-28	2MP IP Dome, Full HD 1080p (1920 x 1080), Electronic Day & Night, Fixed Lens 2.8mm, Dual Streaming, PoE, ePTZ, D-WDR, 3D-DNR, Motion Detection, (VMS, Mobile, NAS Support), Built-in SD Card slot, IP66 & IK10 Vandal Proof.
VD6414-6	2MP IP Dome, Full HD 1080p (1920 x 1080), Electronic Day & Night, Fixed Lens 6mm, Dual Streaming, PoE, ePTZ, D-WDR, 3D-DNR, Motion Detection, (VMS, Mobile, NAS Support), Built-in SD Card slot, IP66 & IK10 Vandal Proof.

Recommended Associated Products



BRACKETS	VMDB-11	VMDB-12	VMDB-13
Mount :	Wall Mount Bracket	Pendant Mount Bracket	In-Ceiling Mount Bracket
Dimension :	120 (W) x 182 (L) x 120 (H) mm	120 (W) x 575 (H) mm	120 (W) x 120 (L) mm



BRACKETS	VMDB-14	VVMS-Advanced™
Mount :	Pole Mount Bracket	Video Management Software
Dimension :	117 (W) x 194 (L) x 143 (H) mm	64 Channel Mobile Application

Affiliations:



Partners:

