

Professional CCTV Banking Solutions

VMC7140 Mini Pinhole Camera

700TVL WDR



Overview

VIDEOTEKNIKA VMC7140 is a 700 TVL high resolution Day/Night Mini Pinhole camera that make concealment easy for a range of covert surveillance applications. VMC7140 is popular with police departments, federal agencies, investigators, banks and loss prevention teams nationwide. The camera is packed with features including Wide Dynamic Range, 3D-DNR, low light lux rating, privacy masking, motion detection, etc.

VMC7140 has digital zoom function & comes with mini mounting bracket. The conical pinhole lens makes it easy to counter sink into thinner objects such as drywall, drop ceiling, wood, concrete etc. The camera incorporates a 1/3" SONY Super HAD CCD II sensor enabling sharp images in highly populated locations.

Supported Compression

The VMC7140 supports MJPEG compression technology, a digital video encoding standard where each video frame is separately compressed into a JPEG image. It also supports the industry standard H.264 compression, the most recent compression technology that reduces drastically video file sizes therefore allowing for better storage and lowers bandwidth demands.

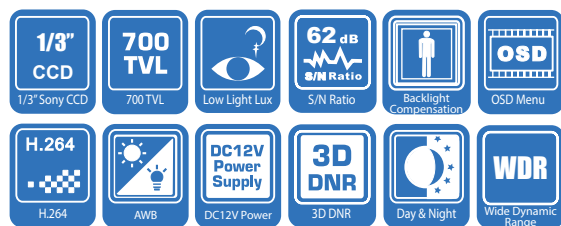
Main Features

- 1/3" SONY Super HAD CCD II sensor
- 700 TVL High Resolution
- Effective Pixels : 976 (H) x 582 (V)
- Minimum Illumination is 0.00006 Lux @ (F2.5, AGC ON)
- 75dB WDR (Wide Dynamic Range)
- Electronic Day & Night
- Fixed Lens 3.7mm (Optional 2.8mm), Angle of View : 70°
- 3D DNR (3D Digital Noise Reduction) , BLC, AWB
- Privacy Masking, Motion Detection
- Supported Video Compressions : MJPEG / H.264
- OSD Menu
- Comes with Mini mounting bracket
- DC12V Power Supply

VMC7140

700TVL – WDR Camera

With Cone Pinhole Lens



Easy setup

- Comes with Mini mounting bracket
- DC12V Power Supply
- Fixed Lens 3.7mm (Optional 2.8mm)
- Electronic Day & Night
- Eclipse, 3DNR, Sharpness, Brightness, Saturation, Electronic image stabilization, Digital Zoom, Mirror, Defect Pixel Correction.

Typical Camera Locations	VMC7140
Retail	Yes
Banking	Yes
Airports	Yes
Hotels & Hospitals	Yes



Professional CCTV Banking Solutions

VMC7140 Mini Pinhole Camera

700TVL WDR

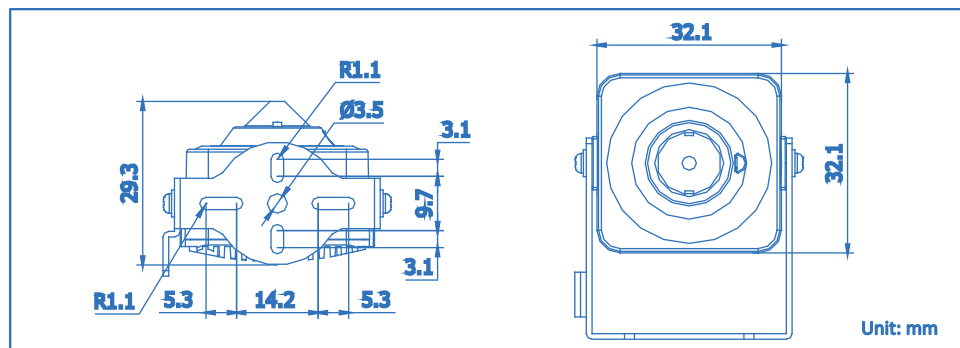


Specifications

Camera Model	VMC7140
Features	
Image Sensor	1/3" SONY Super HAD CCD II
TV-Lines (E.Pixels)	700 TVL (976px x 582px)
Min. Illumination	0.00006 Lux @ (F2.5, AGC ON, sensitivity x 512)
Shutter time	1/50s ~ 1/100,000s
Lens	3.7mm @ F2.5 (2.8mm optional)
Angle of View	70° (Horizontal)
Lens Mount	M12
Wide Dynamic Range	75dB WDR
DNR	3D DNR
Day and Night	Electronic
S/N Ratio	>= 62dB
Video Compression	H.264 / MJPEG
Video Output	1Vp-p composite output (75 Ω/BNC)
Functions	AGC, BLC, AWB, Anti-Flicker.

Camera Model	VMC7140
Features (Continued)	
Functions	3DNR, Sharpness, Brightness, Saturation, Eclipse, Resolution, Electronic image stabilization, Digital Zoom, Mirror, Defect Pixel Correction. Motion detection, privacy masking.
Environmental	
Operating Temperature	-30°C ~ 60°C (-22°F ~ 140°F)
Electrical	
Input Voltage	DC12V ± 10%
Power Consumption	Max. 2W
Physical	
Dimensions	32(W) x 32(H) x 30(D) mm
Weight	310 g (0.68 lbs)
Regulatory Certifications	FCC, CE, C-TICK, UL

Dimensional Diagrams



Ordering Information

Camera Model	Camera Details
VMC7140-37	Mini Pinhole Camera – 700TVL, 1/3" SONY Super HAD CCD II, 0.00006 Lux, 75dB WDR, Electronic Day & Night, Fixed Lens 3.7mm, DC12V, 3D DNR, AGC, BLC, AWB, Anti-Flicker, Motion detection, privacy masking.
VMC7140-28	Mini Pinhole Camera – 700TVL, 1/3" SONY Super HAD CCD II, 0.00006 Lux, 75dB WDR, Electronic Day & Night, Fixed Lens 2.8mm, DC12V, 3D DNR, AGC, BLC, AWB, Anti-Flicker, Motion detection, privacy masking.

